

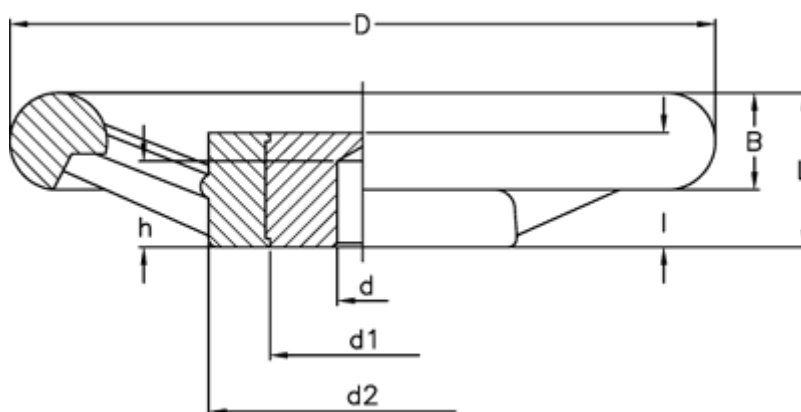
# Data Sheet



Article number: 2301080301

Description: E+G Handwheel  
VRU.250

## Measures



B	= 30	L	= 49
C (N m)	= 650	L (J)	= 25
D	= 249		
d1	= 68		
d2	= 105		
d H9	= 12		
h	= 22		
l	= 30		